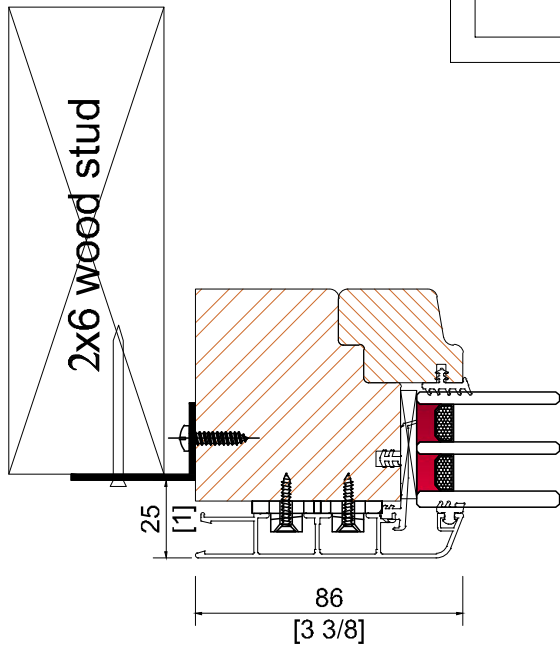
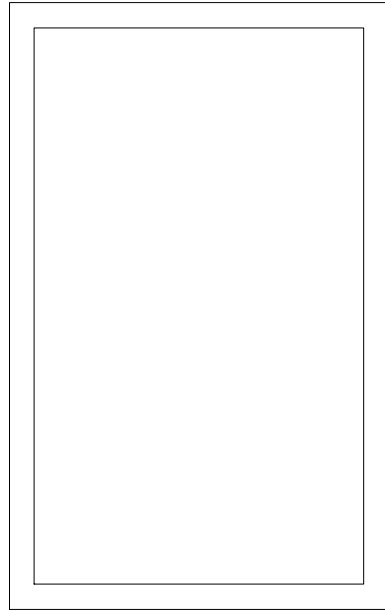
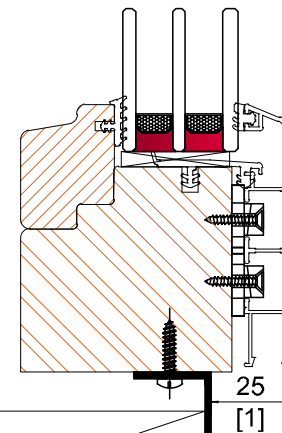
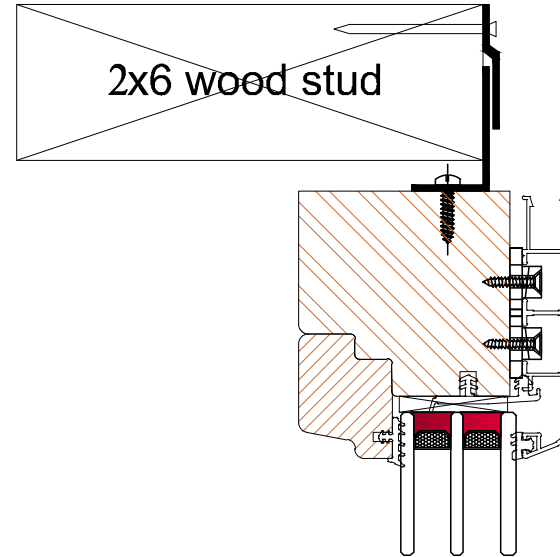


# Alu-clad wood Fix Details



Jamb details

## Head details



Sill details

REV.	DATE	DESCRIPTION
DRAWN BY		
CHECKED BY		
DATE		
PROJECT		
JOB		
FRAME-DTYPE		
Alu-clad wood Fix Details		
PROJECT NO.	REVISION	DRAWING NO.
1001		
SCALE	1	



**DYG windows LTD.**

11400 York Road, Tel: 416-609-7500  
 Etobicoke, Ont. L7R 4K5, Fax: 416-609-2105  
 Canada, Y3M 6P5, Email: info@dYGwindows.com

Copyright © 2010 DYG Windows Ltd. All rights reserved. This drawing is the property of DYG Windows Ltd. and shall not be reproduced, stored in a retrieval system, or transmitted in any form or by any means, electronic, mechanical, photocopying, recording, or by any information storage and retrieval system, without the prior written permission of DYG Windows Ltd. or its affiliates.

DO NOT SCALE DRAWING. DIMENSIONS ALL DIMENSIONS IN THE DRAWING SHALL BE USED FOR CONSTRUCTION EXCEPT NOTATIONS WITH CIRCLE DIMENSION NUMBERS.

DATE

DATE

DATE

DATE

DATE

DATE

DATE

DATE

DATE

DATE

DATE

DATE

DATE

DATE

DATE

DATE

DATE

DATE

DATE

DATE

DATE

DATE

DATE

DATE

DATE

DATE

DATE